

Low pressure gauges with chemical seals series MLD

Diaphragm without liquid filling
St. steel case & Diaphragm

General features

- All st. steel pressure gauges
- Measuring dry type diaphragm
- Pressure ranges from 0...25 mbar to 0...25 bar
- Accuracy class 1.6
- Degree of Protection IP 65

Application area

- Dry type diaphragm low pressure gauge, measuring low pressure, designed for difficult media, such as aggressive contaminated or viscous liquids and gases.
- Machinery construction, Chemical and petrochemical industry, General process technology, Water / wastewater, Power plants, Mining, On/offshore, and general plant construction

General specification

Size 100mm

Type of mounting Bottom connection

Pressure ranges

Low scale ranges from 0...25 mbar

Accuracy class

Class 1.6 per EN 837-1

Temperature

ambient and storage temperature -20...+60 °C
max. medium +100 °C

Overpressure

130% full scale value

Temperature influence

max. $\pm 0.8\%$ / 10K of measuring span per EN 837-3

Upper measuring flange

flange $\varnothing 160$ mm under 250 mbar
flange $\varnothing 100$ mm at 400 mbar

Degree of protection (DIN EN 60 529/IEC 529)

IP 65

Case and bezel ring

stainless steel bayonet ring
blow-out back 1" plug (case dry type) or
top of case plug (case filling type)

Material of wetted parts incl. diaphragm

Stainless steel 316L



Low Pressure Gauge with chemical seal series MLD

Process connection

Stainless steel 316
thread type G1/2B, PT1/2", NPT1/2", flange type "I" shape

Flange diameter

measuring flange dia. 100 mm
0...250mbar to 0...25 bar
-250 mbar...0 bar to -1...24 bar
measuring range dia. 160 mm
0...25 mbar to 0...160 mbar
-25 mbar to -160...0 mbar

Diaphragm housing

Upper flange stainless steel 316
Lower flange stainless steel 316

Movement st. steel

Dial Aluminium, white

Pointer Aluminium, black

Window Instrument safety glass

Option case filling 85% - glycerin / water mixture

Options

- Other process connections upon request
thread type, 3/4", 1"
- Wetted parts supplies various protection foils and special materials
PTFE, PFA, Monel, Hastelloy, Tantalum etc.
- Extended temperature range
ambient temperature and max. medium temperature

Ordering information

Model code **MLD** · [] · [] · [] · [] · **BR** · []

Dial size

5 : 100 mm

Mounting

1 : Bottom Connection

Liquid filling

0 : Dry

3 : Glycerine+water mixture

Process connection

G2 : PF 1/2"

R2 : PT 1/2"

ZZ : Flange,

Refer to flange rating table

Positive scale ranges

162 0...16 mbar

163 0...25 mbar

165 0...40 mabr

167 0...60 mbar

168 0...100 mbar

170 0...160 mbar

172 0...250 mbar

174 0...400 mabr

176 0...600 mbar

Vacuum scale ranges

112 -16...0 mbar

110 -40...0 mbar

109 -60...0 mbar

108 -100... 0 mbar

107 -160...0 mbar

105 -250...0 mbar

104 -400...0 mbar

102 -600...0 mbar

Compound scale ranges

121 -10...+10 mbar

123 -20...+20 mbar

125 -30...+30 mbar

126 -40...+40 mbar

127 -50...+50 mbar

129 -100...+100 mbar

130 -150...+150 mbar

131 -200...+200 mbar

Material of diaphragm

A	st. steel, 316L
H	Hastelloy C 276
M	Monel
T	Tantal
E	PTFE
C	PFA coating

Option code

Code	Description
ND	New dial design
NF	New dial face printing cost per pcs
GM	Green marking per pcs
CD	New dial face design with company logo
RS	Restrictor screw in socket hole for high pulsation
UC	U-calmp for back connection, steel
NO	"USE No OIL" per pcs, at least ≥ 10 pcs
OF	Oval 3-hole front flange
MP	Maximum pointer
BB	Bayonet bezel ring for MBX5
TP	St. stell tag plate, 60 x 20 x 0.5t
R	Reed switch
SN	Snubber
AD	Adaptor
CC	Certificate of conformance / orign
PM	2" Pipe mounting bracket
NC	Ni-Cr Plate
AL	Aluminium pointer for MBX3
MC	Manufacture calibration certificate
KC	KOLAS Ilac-MRA calibration certificate

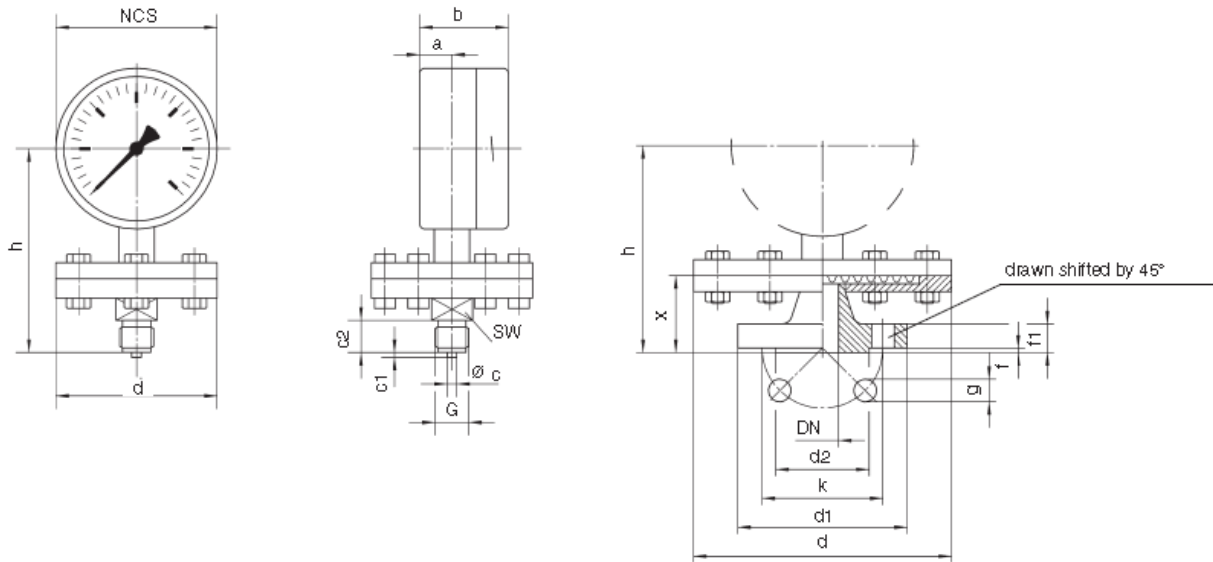
How to Order

MLD.510.G2BR174.GM

MLD.510, 100mm, Cl. 1.6%of FS, Bottom Connection, Dry, G1/2", 0...400 mbar, st.steel 316L, Green marking



Outline drawing



Dimension (mm)

	d	NCS	h	b	SW
MLD.5xx	100	100	127	55	22