

**Helical tube pressure gauges  
for highest pressure applications  
upto 4,000 bar  
series MXH**

St. steel case & socket  
Helical tube made of Ni span C

**General specification**

- Helical tube made of Ni-span C.
- Pressure ranges from 0...2000 to 0...4000 bar
- Case and element assembly of stainless steel
- Bayonet bezel ring with stainless steel 304
- German movement and sensing element
- Degree of Protection, IP65

**Application area**

- MXH is suitable for use in various sectors of industry
- High quality stainless steel design for measuring gaseous, liquid and aggressive media.
- High pressure cleaning
- Water jet in shipbulding industry.

**General specification**

**Norminal Size & pressure ranges**

MXH.5xx : 100mm from 0...2000 bar to 0...4000 bar

**Accuracy class**

MXH.5xx : Accuracy (DIN EN 837-1) class 1.0

**Type of mounting**

Bottom connection  
Bottom connection with back flange

**Pressure limitation**

Steady: Full scale value  
Fluctuating: 0.9 x full scale value  
Short time: 1.3 x full scale value

**Temperature range of**

Medium / operating:  
unfilled instruments: -40...+200°C  
with glycerine filling: -20...+100°C  
with silicon oil filling: -40...+100°C  
Ambient :  
unfilled instruments: -40...+60°C  
with glycerine filling: -20...+60°C

**Degree of protection** DIN EN 60 529/IEC 529  
IP 65

**Case and bayonet bezel ring**

With blow-out top  
Made of stainless steel, SUS 304  
Bayonet ring

**Helical tube material**

Ni Span C, pressure ≥ 2,500 bar



**Ni span C Helical tube, using for MXH**

**Manufacturing standard**

- EN 837-1
- ASME B40.100
- ANSI/B1.20.1 for process connection

**Design**

- DIN 16001

**Movement**

Stainless steel

**Dial**

Aluminium, white

**Pointer**

Aluminium, black  
Zero adjustable pointer [option]

**Mark pointer**

Red mark pointer on bayonet ring  
adjustable [option]

**Pointer stop pin**

without

**Window**

Instrument safety glass

**Case filling**

without, dry type  
Glycerine 85%  
Sillicon oil 85%

**Restrictor**

without / with [option]

**Connection to process, ≥ 2000 bar**

M16 x 1.5 (F) and cone for 1/4" tube  
9/16-18UNF (F) with sealing cone 60° sealing cone  
5/8-18 UNF (F) with inner sealing cone 60°  
G 1/2" B (up to max. 2000 bar)



**DAHO Tronic Limited**  
Tel: 02-865-7001 Fax: 02-865-7109  
mail: info@daho.co.kr

STX W-Tower 209  
Gyeongin-ro 53 Gil 90 Guro-gu  
Seoul 08215 Korea

## Ordering information

## Helical tube made of Ni span C

MODEL CODE **MXH** . [ ] . [ ] . [ ] . [ ] . [ ] . [ ] . option

### Dial size

5	100 mm
---	--------

### Mounting

1	Bottom connection
2	Bottom connection with back flange

### Liquid filling

0	Dry
1	Glycerin
2	Silicon

### Process connection

U4	UNF 9/16"-18 Female
G2	G1/2"B (max.upto 2500bar)

### Unit of measurement

B	bar
M	MPa
P	psi
D	dual scale (MPa/bar)

### Pressure range code, unit bar

Code	Range
R57	0...2000
R58	0...2500
R59	0...3000
R60	0...4000

### Option

Refer to option table

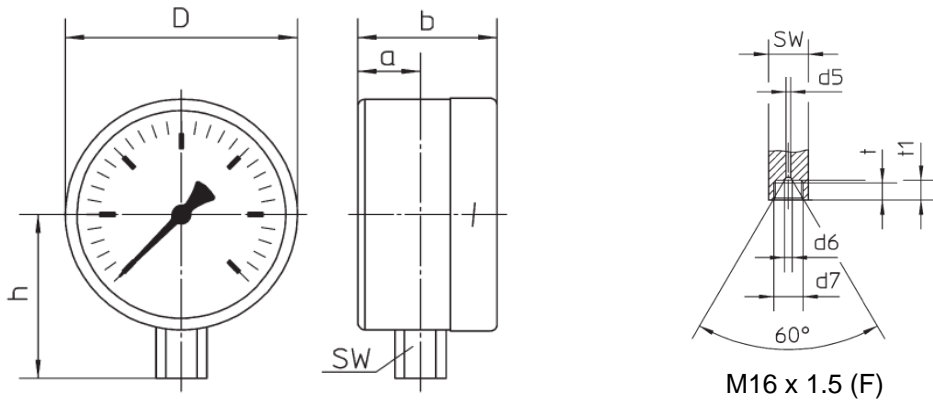
### Option code

Code	Description	Code	Description
ND	New dial design	TP	St. stell tag plate, 60 x 20 x 0.5t
NF	New dial face printing cost per pcs	MC	Manufacture calibration certificate
GM	Green marking per pcs	KC	KOLAS Ilac-MRA calibration certificate
CD	New dial face design with company logo	RE	Reed switch
RS	Restrictor screw in socket hole for high pulsation	SN	Snubber
UC	U-calmp for back connection, steel	AD	Adaptor
NO	"USE No OIL" per pcs, at least $\geq 10$ pcs	CC	Certificate of conformance / orign
OF	Oval 3-hole front flange	PM	2" Pipe mounting bracket
MP	MXHimum red pointer	NC	Ni-Cr Plate
BB	Bayonet bezel ring for MXHK.5xx	AL	Aluminium pointer for MXHK.3xx

### How to order

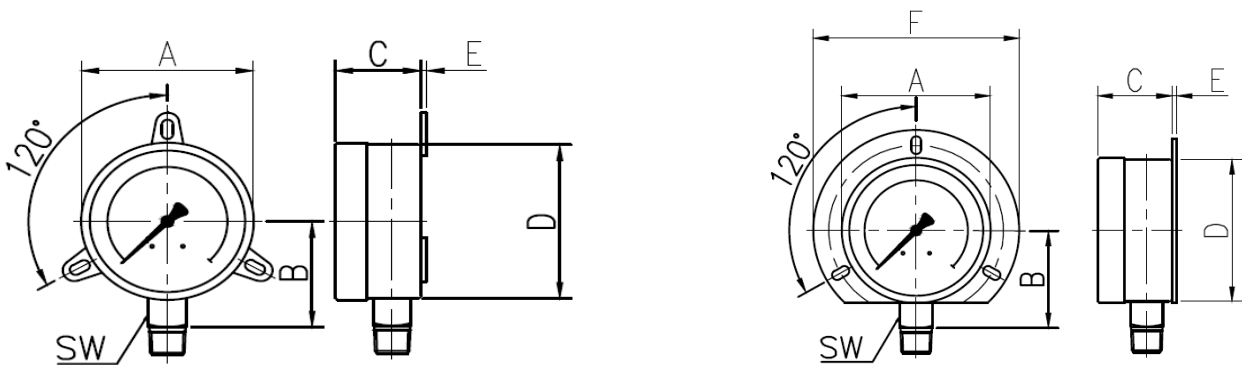
MXH.511.G2.D.R58.GM

MXH, 100mm, Bottom connection, Gly, G1/2", 0...2500 bar/MPa, Green marking (customized)



Dimension (mm)

Series MXH	a	b	D	h	d5	d6	t	t1	SW
MXH.5xx	25	59	101	87	-	4.8	10.5	12	22



Dimension (mm)

MXH.5xx	100.5	90	49	97	2	132	22
---------	-------	----	----	----	---	-----	----

Process connection

code	specification
G2	G 1/2" B
H2	M16 x 1.5 (F) and cone for 1/4" tube
U4	9/16-18UNF (F) with sealing cone
H1	5/8-18 UNF (F) with inner sealing cone

How to order

MXH.511.H2.BR60

MXH.511, 100mm, Bottom connection, Glycerin, M16 x 1.5 (F), 0...4000 bar