

Chemical Diaphragm Seal with threaded connection model CDS.911

Assembled with MAX series & MBX series
dry or Glycerine / Silicon liquid filled.
Assembled with pressure transmitters EDA.370
st. steel body & st. steel intermediate diaphragm

General features

- Assembled with pressure gauges & pressure transmitters
- Possible pressure ranges from -1...0 bar to 0...40 bar
- Device with internal diaphragm, large working volume, diaphragm seal parts screwed together

Application area

- Diaphragm seals protects the gauges from aggressive, highly viscous or solidifying measurement media as well as from high media temperatures, vapours, measurement pressure fluctuations and pressure spikes as well as increasing the overload capacity.
- Food industry, Pharmaceutical industry, Biotechnology.

General specification

Assembled with pressure gauges with MAX & MBX.

All stainless steel pressure gauges, MAX

MAX.51x, 100mm
MAX.41x, 80mm
MAX.31x, 63mm

Wetted parts of brass, MBX

MBX.51x, 100mm
MBX.31x, 63mm

Assembled with pressure transmitters

EDA.370 & EDA.371

Accuracy class

Pressure gauges

MAX.51x / Class 1.0 per EN 837-1
MAX.41x / Class 1.6 per EN 837-1
MAX.31x / Class 1.6 per EN 837-1
MBX.51x / Class 1.0 per EN 837-1
MBX.31x / Class 1.6 per EN 837-1

Pressure gauges

EDA.370 / class 1.0 F.S
EDA.371 / class 1.0 F.S

Pressure ranges

-1...0 to 40 bar



Pressure gauge with diaphragm, series CDS.911

Upper part with instrument connection

Material st. steel 316L
Instrument connection G1/2" female

Lower part with process connection

Material st. steel 316L
Process connection G1/2"
G 3/8"
G 1/4"
PT 1/2"
PT 3/8"
PT 1/4"
others on request

Intermediate diaphragm

High-soft membrane screwed with upper part,
helium leak detection upto 10^{-9} mbar l/s.
Effective diaphragm diameter $d_M = 32\text{mm}$

Diaphragm st. steel, 316L
[option]
Teflon coated on diaphragm

Normal pressure

PN 100

Temperature resistance

Medium temperature max. +250 °C



DAHO Tronic Limited

Tel: 02-865-7001 Fax: 02-865-7109
mail: info@daho.co.kr

STX W-Tower 209

Gyeongin-ro 53 Gil 90 Guro-gu
Seoul 08215 Korea

www.daho.co.kr

Ordering information

Model code

CDS.911 · [] · [] · [] · []

Mounting method

M1	Direct mounting with bottom connection
M8	Capillary with SUS protection
M9	Capillary with SUS protection & PVC sheath

Kinds of liquid for calibration

GL	Glycerin
SI	Silicon
VO	Vegitable oil
HT	High Temperature oil

Process connection

G2	G 1/2"
G3	G 3/8"
G4	G 1/4"
R2	R 1/2"
R3	R 3/8"
R4	R 1/4"

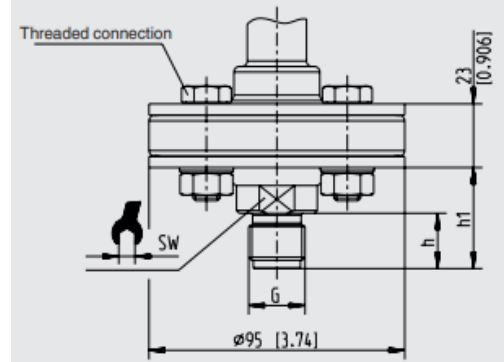
Code	Description
UF	Upper flange 316L
LF	Lower flange 316L
LPV	Lower flange PCV
LPP	Lower flange PP
LPE	Lower flange PE
TC	Teflon coated on diaphragm
NO	"USE No OIL" for wetted parts
TP	St. steel tag plate, 60 x 20 x 0.5t
RS	Restrictor screw in socket hole for high pulsation
DMCC	Manufacture calibration certificate
KC	KOLAS Ilac-MRA calibration certificate
CC	Certificate of conformance / origin

■ Threaded flange connection

Flange per DIN2501

DN [mm]	PN [bar]	Dimensions [mm]							G ₁	Weight [kg]
		D	k	d ₄	b	f	H			
15	10/40	95	65	45	28	2	56	4 x M 12	1.56	
	63/100	105	75	45	25	2	53	4 x M 12	2.00	
	160	105	75	45	25	2	53	4 x M 12	2.13	
	250	130	90	45	26	2	54	4 x M 12	3.20	
20	10/40	105	75	58	25	2	53	4 x M 12	1.87	
25	10/40	115	85	68	22	2	50	4 x M 12	2.10	
	63/100	140	100	68	24	2	52	4 x M 12	3.20	
	160	140	100	68	24	2	52	4 x M 12	3.60	
	250	150	105	68	28	2	56	4 x M 12	4.00	
40	10/40	150	110	88	22	2	50	4 x M 12	3.14	
	63/100	170	125	88	26	2	54	4 x M 12	4.90	
	160	170	125	88	28	2	56	4 x M 12	5.24	
	250	185	135	88	34	2	62	4 x M 12	6.94	

Male thread



Threaded connections:

- 4x to 100 bar
- 8x 101 ... 250 bar
- 8x with metal sealing to 250 bar

Legend:

- Mb Diameter of diaphragm
- G Thread
- SW Spanner width

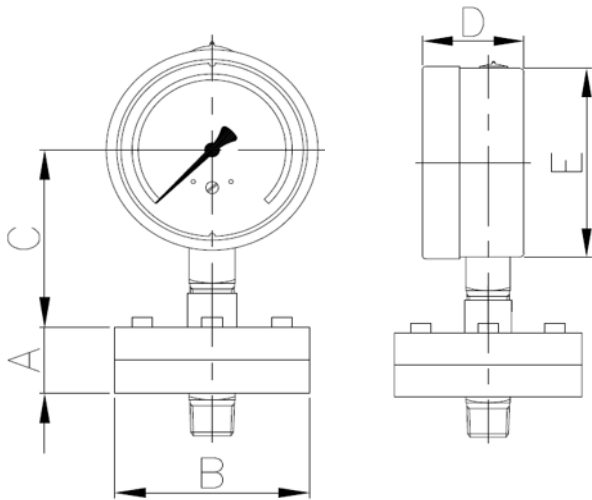
Outline drawing



MAX.510 assembled with CDS.911



EDA.370 assembled with CDS.911



■ Dimension (mm)

Chemical seal	A	B	C	D	E
	19	89	80	48	99