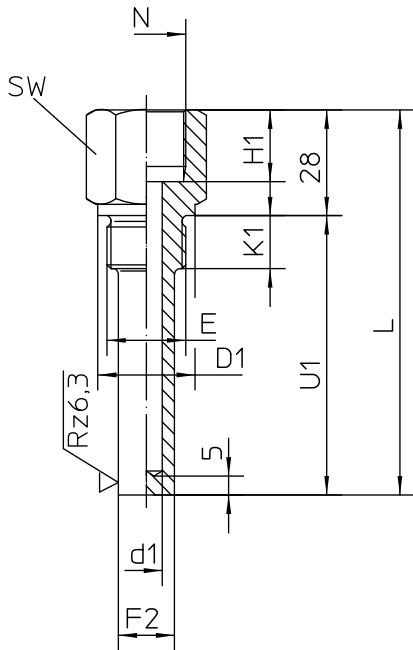


## Thermowell screw-in type per DIN 43772, form 6, solid drilled, female thread, Type series HA8020



### Materials

	material-no.	T max.	P max.*
stainless steel	1.4571	550°C	150 bar
stainless steel	1.4404	550°C	150 bar

\* static conditions of use

Other materials upon request.

The thermowells are available with material certificate per DIN EN 10204-3.1 and are suitable for connection to Zone 0 according to the technical instruction TA\_033.

Upon request a calculation for thermowells can be made (for static or dynamic application) with certificate.

### Length L1 of the temperature detecting element (dial indicating thermometers)

screwed plug, rotating, internal gasket  $L1 = U1 - A$

screwed plug, fixed, external gasket  $L2 = U1 + B$

### DIN-lengths of the thermowells

(pls specify deviating lengths)

L mm	U1 mm
110	82
170	142
260	232
410	382

## Order details

### Thermowell screw-in type per DIN 43772, form 6, solid drilled, female thread, Type series HA8020

Order code HA8020												
HA8020 Screw-in thermowell per DIN 43772 for thermometers with female thread												
		screw in thread E	instrument screw threads N	bore hole Ø d1	pipe Ø F2	D1	K1	H1	SW	A	B	
A10	thermowell form 6	G 1/2 B	G 1/2	7	13	26	14	19	27	2	18	
A11				7	17							
A12 *				9	17							
A13				11	17							
A20		G 3/4 B	G 1/2	7	17	32	16	19	32	2	18	
A21				9	17							
A30		G 3/4 B	G 3/4	7	17	32	16	22	32	2	18	
A31				9	17							
A32				11	19							
A33				13	20							
A34		14	22									
A40		G 1 B	G 1/2	7	17	39	18	19	41	2	18	
A41				9	20							
A42				11	22							
A99			pls specify									
G10		material	stainless steel 1.4571 (standard)									
G11	stainless steel 1.4404											
G99	pls specify											

additional features (to be indicated in case of need, only)	
W1220	combined pressure and leak test (pls specify test pressure)
W1020	material certificate per DIN EN 10204 -3.1
W2502	suitable for connection to Zone 0 acc. to TA_033

Order code (example): HA8020 - A11 - G10 - W1020 - U1=...  
(length L and U pls specify in mm; min. 80, max. 382 mm)

* delivered ex stock (with material certificate, too)					
	thermowell	male E	Instrument screw threads N	bore hole Ø d1	pipe Ø F2
HA8020 - A12 - G10 - U1=82	form 6	G 1/2 B	G 1/2	9	17
HA8020 - A12 - G10 - U1=142	form 6	G 1/2 B	G 1/2	9	17