

## Pressure gauge with diaphragm seal series MDB

Pressure gauges with diaphragm flanges  
assembled with MAX & MBX  
Dry or Glycerine / Silicon liquid filled  
St. steel case & Diaphragm

### General features

- All st. steel pressure gauges
- German movement and sensing element
- Pressure ranges from -1...0 bar to 0...40 bar
- Accuracy class 1.0
- Degree of Protection

### Application area

- Diaphragm seals protects the gauges from aggressive, highly viscous or solidifying measurement media as well as from high media temperatures, vapours, measurement pressure fluctuations and pressure spikes as well as increasing the overload capacity.
- Food industry, Pharmaceutical industry, Biotechnology.

### General specification

#### Assembled with pressure gauges with MAX & MBX.

##### All stainless steel pressure gauges, MAX

MAX.51x, 100mm  
MAX.41x, 80mm  
MAX.31x, 63mm

##### Wetted parts of Brass, MBX

MBX.31x, 63mm

#### Accuracy class

MAX.51x / Class 1.0 per EN 837-1  
MAX.41x / Class 1.6 per EN 837-1  
MAX.31x / Class 1.6 per EN 837-1  
MBX.31x / Class 1.6 per EN 837-1

#### Pressure ranges

-1...0 to 40 bar

#### Temperature

operating temperature ranges  
(ambient and measured medium)  
-20...+60°C  
storage temperature  
-20...+60°C

#### Case and bezel ring

Material: St. steel  
bayonet ring  
with blow-out disc at the top of the case

**Type of mounting** Bottom connection



Pressure gauge with diaphragm, series MDB

#### Process Connection

Material of St. steel  
MDB connection G1/2, G3/8, PT1/2, PT3/8  
others on request

#### Bourdon Tube

St. steel for MAX  
Brass for MBX

#### Movement

St. steel for MAX  
Brass for MBX

#### Diaphragm

St. steel, 316L

#### Diaphragm housing

St. steel

#### Dial

Aluminium, white

#### Pointer

Aluminium, black

#### Window

Instrument safety glass

#### Degree of protection (DIN EN 60 529/IEC 529)

IP 65

#### Option

Case filling 85%  
- glycerine or silicone

#### Liquid filling

- Standard : Silicon Oil  
- Option : Vegetable Oil, High temp. Oil

Teflon Coating or Lining



DAHO Tronic Limited

Tel: 02-865-7001 Fax: 02-865-7109

mail: info@daho.co.kr

STX W-Tower 209

Gyeongin-ro 53 Gil 90 Guro-gu

Seoul 08215 Korea

## Ordering information

Model code

**MDB** ·

### Selection of pressure gauge

#### all st. steel

MAX.51x / 100mm  
MAX.41x / 80mm  
MAX.31x / 63mm

#### wetted parts, brass

MBX.31x / 63mm

### Liquid filling

0 : Dry  
1 : Glycerin  
2 : Silicon

### Mounting

1 : Direct mounting with bottom connection  
8 : Capillary with SUS protection  
9 : Capillary with SUS protection & PVC sheath

### Liquid filling

GL : Glycerin  
SI : Silicon  
VO : Vegetable oil  
HT : High Temperature oil

### Option

Refer to option table

### Pressure range

Refer to pressure range table

### Unit of measurement

B : bar  
M : MPa  
P : psi  
D : dual scale  
X : others

### Process connection

G0 : PF 1"  
G2 : PF 1/2"  
G3 : PF 3/8"  
G4 : PF 1/4"  
R2 : PT 1/2"  
R4 : PT 1/4"

### Pressure range code, unit bar

Code	Range	Code	Range	Code	Range	Code	Range
R05	-1...24	R15	-1...1.5	R26	0...1.6	R35	0...16
R07	-1...15	R17	-1...0.6	R28	0...2.5	R37	0...25
R09	-1...9	R19	-1...0	R30	0...4	R39	0...40
R11	-1...5	R21	0...0.6	R32	0...6		
R13	-1...3	R23	0...1	R33	0...10		

### Option code

Code	Description	Code	Description
UF	Upper flange 316L	ND	New dial design
LF	Lower flange 316L	NF	New dial face printing cost per pcs
LPV	Lower flange PCV	GM	Green marking per pcs
LPP	Lower flange PP	CD	New dial face design with company logo
LPE	Lower flange PE	RS	Restrictor screw in socket hole for high pulsation
TC	Diaphragm teflon coating	UC	U-clamp for back connection, steel
OR	Other pressure range per pcs	DMCC	Manufacture calibration certificate
NO	"USE No OIL" per pcs, at least ≥ 10 pcs	KC	KOLAS Ilac-MRA calibration certificate
TP	St. stell tag plate, 60 x 20 x 0.5t	CC	Certificate of conformance / origin

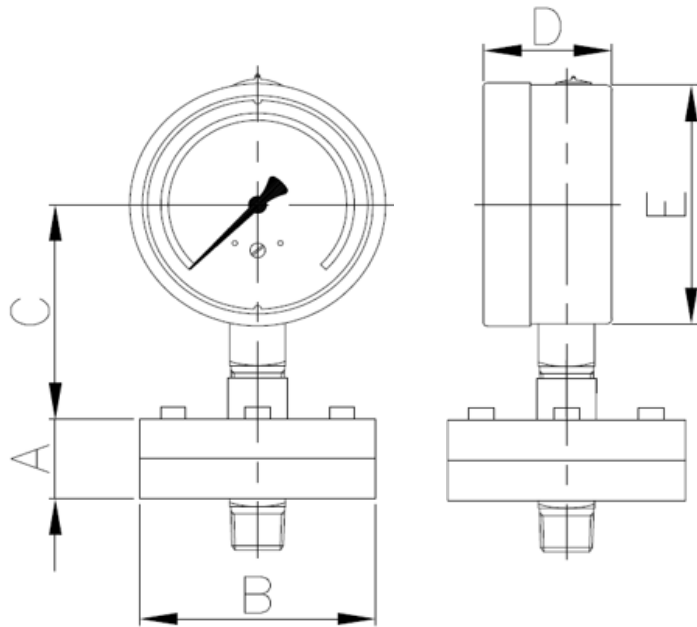
### How to Order

MDB.MAX.511.G2BR39.GM 20...25 bar

MDB.MAX.100mm, Bottom Connection, Glycerine, PF1/2", 0...40 bar, Green marking 20-25 bar

---

**Outline drawing**



*Dimension (mm)*

Chemical seal	A	B	C	D	E
MDB / 100mm	19	89	80	48	99