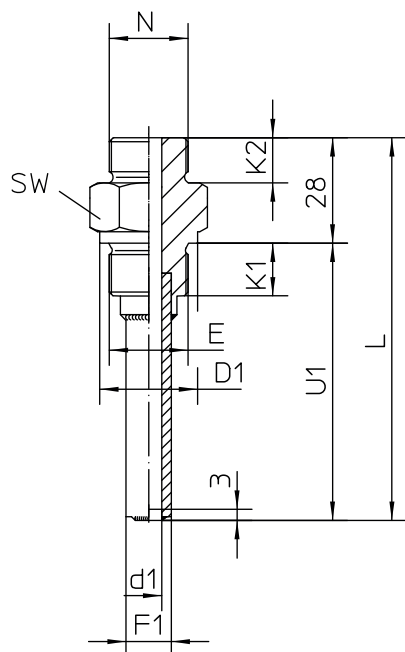


## Thermowell screw-in type per DIN 43772 form 8, welded, male thread Type series HA8030



### Materials

	material-no.	T max.	P max.*
stainless steel	1.4571	550°C	25 bar

\* static conditions of use

Other materials upon request.

The thermowells are available with material certificate per DIN EN 10204-3.1 and are suitable for connection to Zone 0 according to the technical instruction TA\_033.

Upon request a calculation for thermowells can be made (for static or dynamic application) with certificate.

### Length L1 of the temperature detecting element (dial indicating thermometers)

$$L1 = U1 + A$$

### DIN-lengths of the thermowells

(pls specify deviating lengths)

L mm	U1 mm
101	73
138	110
198	170
288	260
438	410

## Order details

### Thermowell screw-in type per DIN 43772, form 8, welded, male thread, Type series HA8030

#### Order code HA8030

HA8030		Screw in thermowell per DIN 43772 for thermometers with male thread									
		screw in thread E	instrument screw threads N	bore hole Ø d1	pipe Ø F1	D1	K1	H1	SW	A	
A10	thermowell form 8	G 1/2 B	G 1/2 B	7	9	26	14	12	27	16	
A11				7	12						
A13				9	14						
A14				11	14						
A30		G 3/4 B	G 3/4 B	7	12	26	16	14	32	20	
A31				9	14						
A32				11	14						
A33				13	16						
A34					14	18					
A99			pls specify								
G10	material	stainless steel 1.4571 (standard)									
G99		pls specify									

#### additional features (to be indicated in case of need, only):

W1220	combined pressure and strength test (pls specify test pressure)
W1020	material certificate per DIN EN 10204 -3.1
W2502	suitable for connection to Zone 0 acc. to TA_033

Order code (example): HA8030 - A11 - G10 - W1220 - U1=...

(length L and U pls specify in mm; min. 80, max. 2000 mm, support long thermowells to avoid stresses due to vibrations)