

# Diff Pressure Gauge for industries series DPA7

Applied to low and high pressure of air and liquid  
Pressure range of 0...50 kPa to 0...1 MPa

DAHO datasheet series DPA7

## General features

- Pressure ranges 0...50 kPa to 0...1 MPa
- Accuracy  $\pm 1.6$  of Full Scale
- Case and element assembly of stainless steel

## Application Area

- Check the filter performance by measuring the differential pressure between both ends of the filter.
- Measure flow by measuring the differential pressure between both ends of the pipe orifice.
- Measure differential pressure, reference pressure, vacuum and compound pressure of the various line.

## General specification

### Size

150 mm

### Pressure range

0...50 kPa to 0...1 MPa

### Working pressure

Base Pressure: 5 MPa

Steady: 75% of Full Scale

Fluctuating: 60% of Full Scale

### Accuracy

$\pm 1.6$  of Full Scale

### Temperature

operating temperature ranges

Air : -20...+65°C

Liquid : -20...+40°C

### Degree of protection

IP 65

### Mounting Type

2" Pipe Mounting Bracket (Standard)

Front flange Mouting (only for 150mm)

### Process Connection

Material: SUS 316

PT1/4"(Female), Others on request



Differential pressure gauge, series DPA

### Case and Cover

SUS 304

### Movement

SUS 304

### Element

SUS 316

Bellows

### Dial

Aluminium / Black gradustions on white background

### Pointer

Aluminium / Black

### Window

Safety Glass

### Option

3-Way or 5-Way Manifold Valve

DAHO datasheet series DPA7

Page 1 of 3

**DAHO**

**Ordering Information**

MODEL CODE



**DIAL SIZE**  
7 : 150 mm

**MOUNTING**  
P : 2" Pipe mounting bracket  
F : Front flange mnt. (only 150mm)

**PROCESS CONNECTION**  
R4 : PT 1/4"(F)  
XX : Others (on request)

**LIQUID FILLING**  
0 : Dry type  
1 : Glycerin  
2 : Silicone

**OPTION**  
Information to additional specification  
3W : 3-way manifold valve  
5W : 5-way manifold valve  
MB4 : Bracket 304SS  
MB6 : Bracket 316SS  
FS : Flow rate scale

**PRESSURE RANGE**  
Refer to pressure range table

**UNIT of Measurement**  
B : bar  
K : kPa  
M : MPa  
P : psi  
X : others (on request)

**Pressure Range Code per DIN Standard range**

Code	Range	Code	Range	Code	Range
R28	0...50 kPa	R33	0...0.3 MPa	R37	0...1 MPa
R29	0...0.1 MPa	R34	0...0.4 MPa		
R31	0...0.2 MPa	R36	0...0.6 MPa	YY	Others

**How to Order**

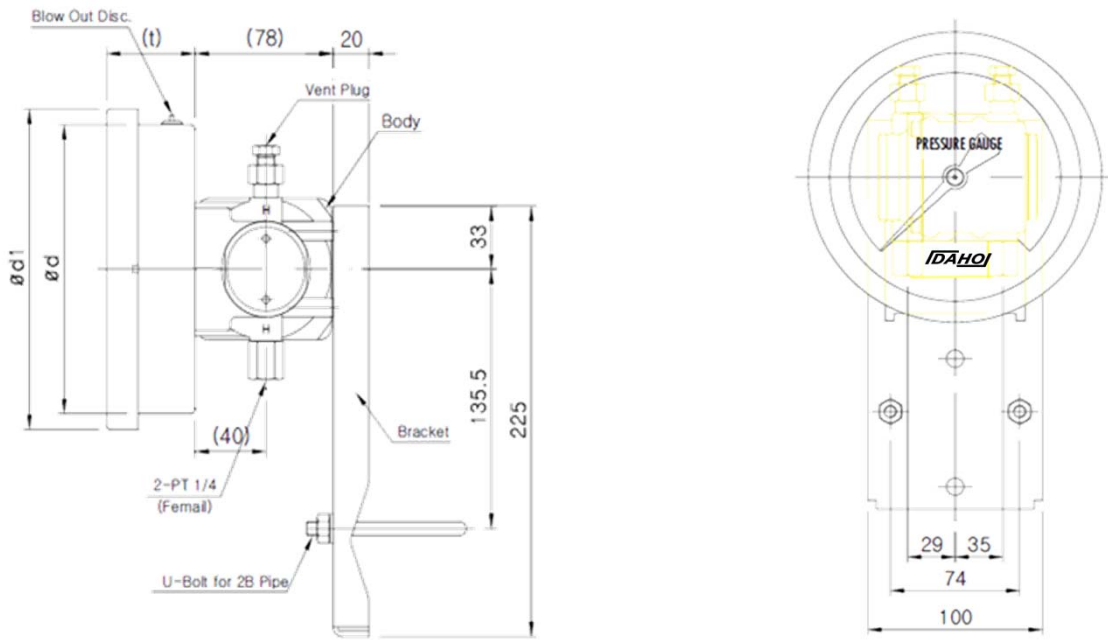
DPA7-P-R4-0-M-R37-5W

DPA, 150mm, Cl. 1.6%of FS, 2" Pipe Mounting Bracket, 2 x R1/4"(F), Dry type, 0...1 Mpa, with 5 way manifold

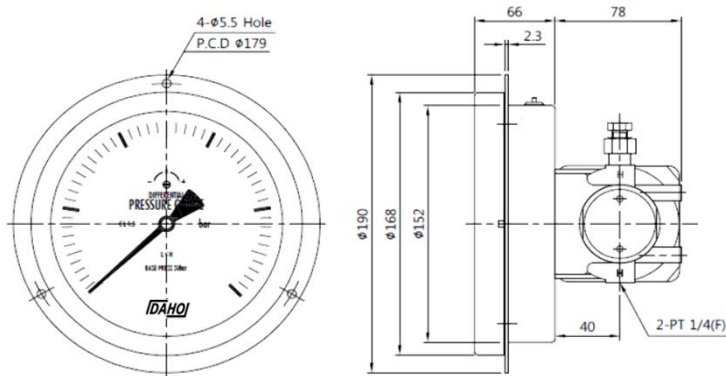


**Drawing**

**2" mounting bracket type**



**Front flange mounting type (ONLY 150mm)**



Dimension (mm)

	ØD	ØD1	t
DPA7	168	152	50

