

Diff Pressure Gauge for industries series DPA5

Applied to low and high pressure of air and liquid
Pressure range of 0...50 kPa to 0...1 MPa

DAHO datasheet series DPA5

General features

- Pressure ranges 0...50 kPa to 0...1 MPa
- Accuracy ± 1.6 of Full Scale
- Case and element assembly of stainless steel

Application Area

- Check the filter performance by measuring the differential pressure between both ends of the filter.
- Measure flow by measuring the differential pressure between both ends of the pipe orifice.
- Measure differential pressure, reference pressure, vacuum and compound pressure of the various line.

General specification

Size

100 mm

Pressure range

0...50 kPa to 0...1 MPa

Working pressure

Base Pressure: 5 MPa

Steady: 75% of Full Scale

Fluctuating: 60% of Full Scale

Accuracy

± 1.6 of Full Scale

Temperature

operating temperature ranges

Air : -20...+65°C

Liquid : -20...+40°C

Degree of protection

IP 65

Mounting Type

2" Pipe Mounting Bracket (Standard)

Front flange Mouting (only for 150mm)

Process Connection

Material: SUS 316

PT1/4"(Female), Others on request



Differential pressure gauge, series DPA

Case and Cover

SUS 304

Movement

SUS 304

Element

SUS 316

Bellows

Dial

Aluminium / Black gradustions on white background

Pointer

Aluminium / Black

Window

Safety Glass

Option

3-Way or 5-Way Manifold Valve

DAHO datasheet series DPA5

Page 1 of 3

DAHO

Ordering Information

MODEL CODE



DIAL SIZE
5 : 100 mm

MOUNTING
P : 2" Pipe mounting bracket
F : Front flange mnt. (only 150mm)

PROCESS CONNECTION
R4 : PT 1/4"(F)
XX : Others (on request)

LIQUID FILLING
0 : Dry type
1 : Glycerin
2 : Silicone

OPTION
Information to additional specification
3W : 3-way manifold valve
5W : 5-way manifold valve
MB4 : Bracket 304SS
MB6 : Bracket 316SS
FS : Flow rate scale

PRESSURE RANGE
Refer to pressure range table

UNIT of Measurement
B : bar
K : kPa
M : MPa
P : psi
X : others (on request)

Pressure Range Code per DIN Standard range

Code	Range	Code	Range	Code	Range
R28	0...50 kPa	R33	0...0.3 MPa	R37	0...1 MPa
R29	0...0.1 MPa	R34	0...0.4 MPa		
R31	0...0.2 MPa	R36	0...0.6 MPa	YY	Others

How to Order

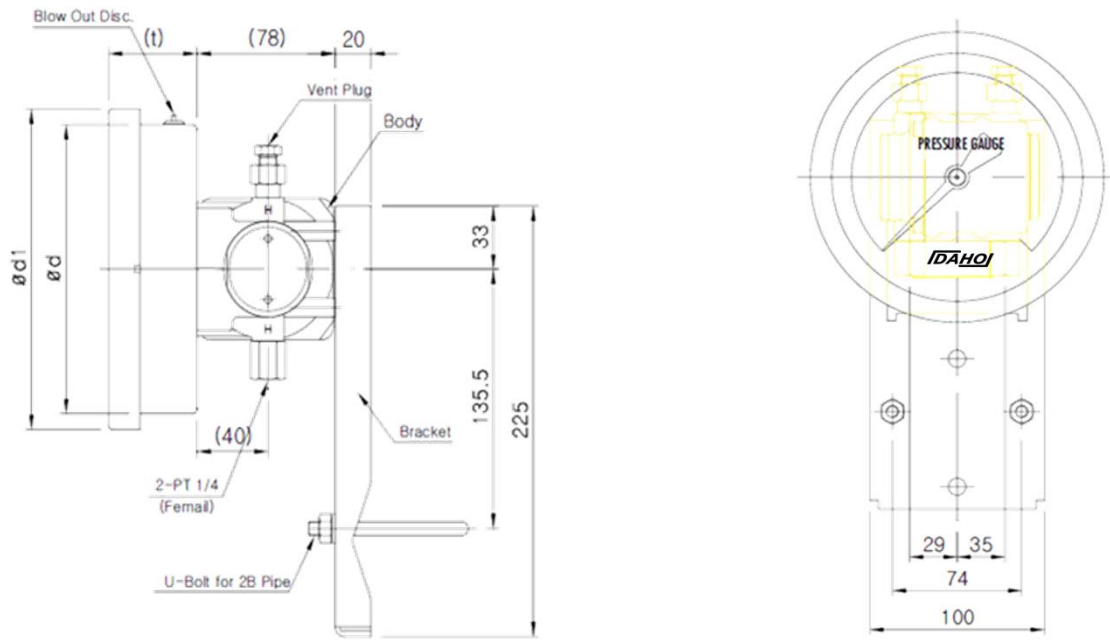
DPA5-P-R4-0-M-R37-5W

DPA, 100mm, Cl. 1.6%of FS, 2" Pipe Mounting Bracket, 2 x R1/4"(F), Dry type, 0...1 Mpa, with 5 way manifold

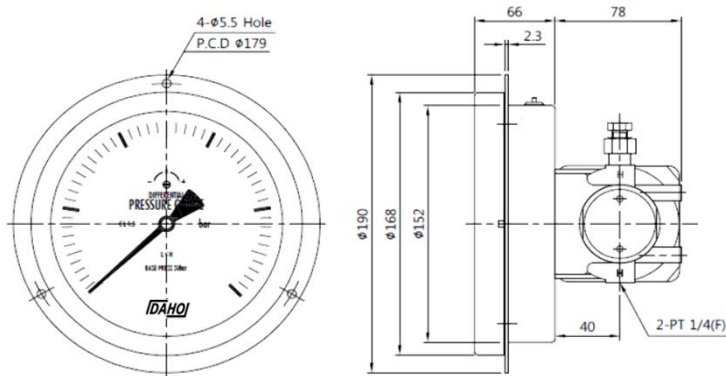


Drawing

2" mounting bracket type



Front flange mounting type (ONLY 150mm)



Dimension (mm)

	ØD	ØD1	t
DPA5	114	100	46

