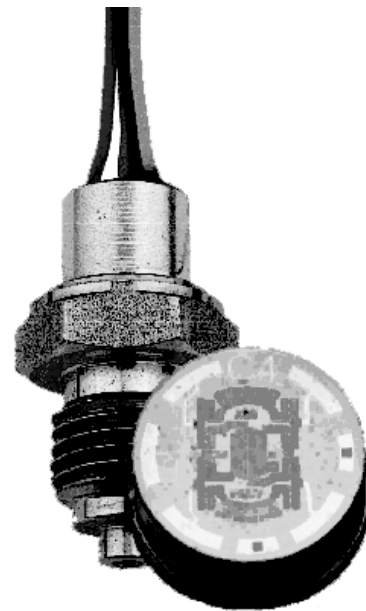


# OEM-Pressure Sensor

for gauge pressure

Stainless steel sensors are welded onto stainless steel adaptor/support parts and contacted with robust colour coded leads. In the standard program, sensors mounted on G¼ inch adapter parts are available, however application specific solutions can be realized by changing the adapter part before welding. The temperature range is up to +90°C (type C) or +200°C (type XT). For special customer applications a version up to 350°C is available.



## Applications

Hydraulic systems, control systems

## Technical specifications

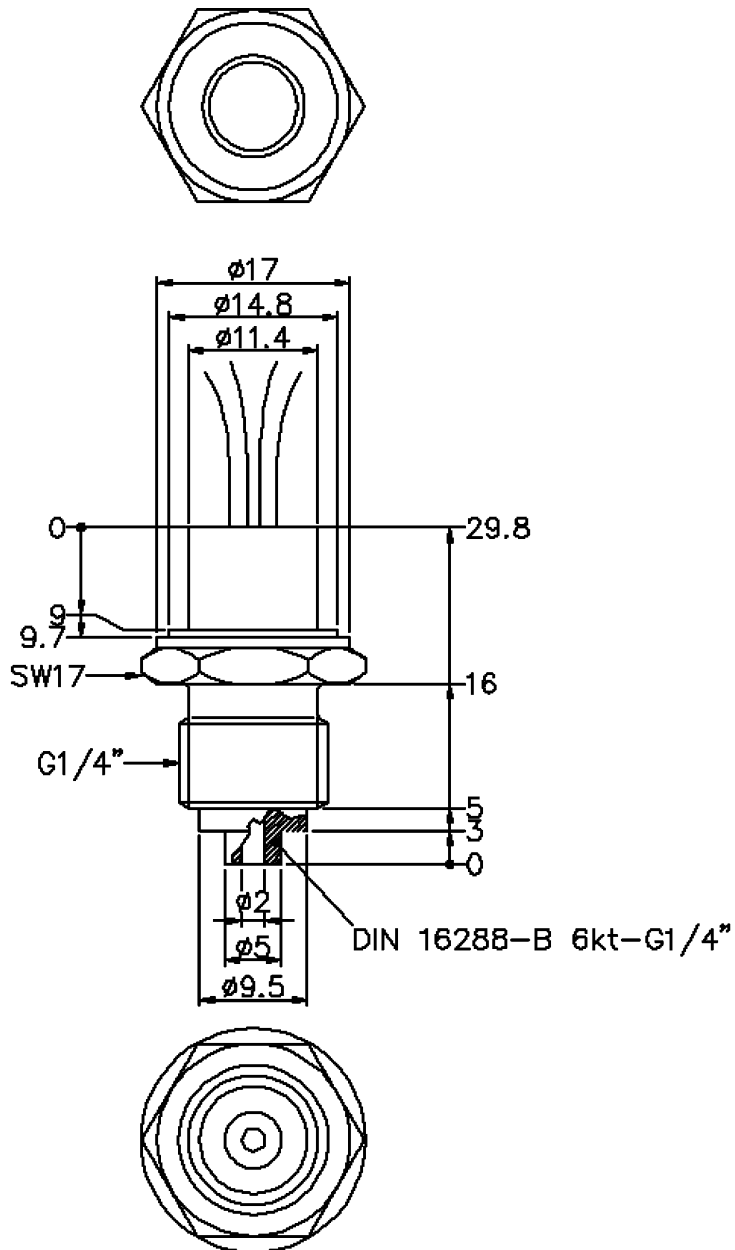
Linearity	% FS	< 0.2 (typ.)				
Hysteresis	% FS	< 0.05 (typ.)				
TC Zero offset	% FS/K	< 0.02 (typ.)				
TC Span	% FS/K	< 0.01 (typ.)				
Long term stability	% FS p.a.	< 0.5				
min. lifetime		> 10 <sup>8</sup> cycles				
Operating temperature	°C	-40..+90 (type C) -40..+125 (type T) -40..+200 (type XT)				
Zero Offset (@ 10V Supply Voltage)	mV	0 ± 4 (type C) 0 ± 12 (type T/XT)				
Span (@ 10V Supply Voltage)	mV	20 ± 20% (type C) 55 ± 20% (type T/XT)				
Bridge resistance	kΩ	4.0..6.5 (type C) 3.0..6.0 (type T/XT)				
Insulation	VDC	200				
Supply voltage, max.	VDC	15				
Material		1.4548 Diaphragm 1.4571 or 1.4542 Adapter				
<b>Measuring ranges:</b>		CB/TB	CE/TE	CG/TG	CL/TL	CQ/TQ
Measuring range*	bar	25	60	160	400	800
Overload	bar	40	100	250	600	1000
Burst pressure	bar	80	150	400	800	1200

\* further ranges are available on request

Subjects to change without notice  
MS 04/02



Drawing C and T-types



Connections		
Voltage supply	+	red
Voltage supply	-	black
Output signal	+	yellow
Output signal	-	blue