

### General features

- Bi-metal Thermometer
- Case and stem of stainless steel
- Degree of protection IP65
- Temperature ranges from -20...+40 to 0...600 °C

### Application area

- All st. steel thermometer suitable for use outdoors and chemical industry, oil refineries, petroleum, medicine, food & beverage industry, heavy industry and various industrial applications. The instruments meet the highest standards of measurement technique.



### General specification

#### Dial Size

50mm, 60mm, 75mm, 100mm, 125mm, 150mm

#### Temperature ranges

From -40 °C up to +600 °C

#### Accuracy

±2 % F.S

#### Stem Dia

6.4mm

#### Stem Length

Min & Max: depend on temperature range

#### Material

Case: st. steel 304  
 Dial face: Aluminium  
 Window: Industrial glass  
 Pointer: Aluminium in black  
 Stem: st. steel 304  
 Connection: st. steel 304

#### Connection

Standard PT1/4(R1/4) or PT1/2(R1/2)  
 Others on request

#### Degree of protection

IP 65

Scale-, measuring ranges  
 limits of error per EN 13190, class2

| Scale range °C | Scale spacing °C | Measuring range °C | Limits of error |
|----------------|------------------|--------------------|-----------------|
| -20...+40      | 1                | -10...+30          | 2               |
| -20...+60      |                  | -10...+50          |                 |
| -20...+120     |                  | -10...+110         | 4               |
| -30...+30      |                  | -20...+20          |                 |
| -30...+50      |                  | -20...+40          | 2               |
| -30...+70      |                  | -20...+60          |                 |
| -40...+40      |                  | -30...+30          |                 |
| -40...+60      |                  | -30...+50          |                 |
| 0... 60        |                  | 10...50            | 5               |
| 0... 80        |                  | 10...70            |                 |
| 0... 100       | 10...90          |                    |                 |
| 0... 120       | 2                | 10...110           | 4               |
| 0... 160       |                  | 20...140           |                 |
| 0... 200       | 5                | 20...180           | 5               |
| 0... 250       |                  | 30...220           |                 |
| 0... 300       |                  | 30...270           | 10              |
| 0... 400       |                  | 50...350           |                 |
| 0... 500       |                  | 50...450           |                 |
| 0... 600       | 10               | 100...500          | 15              |

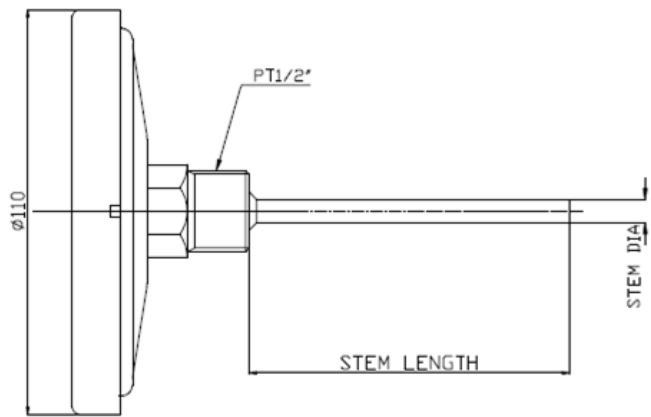
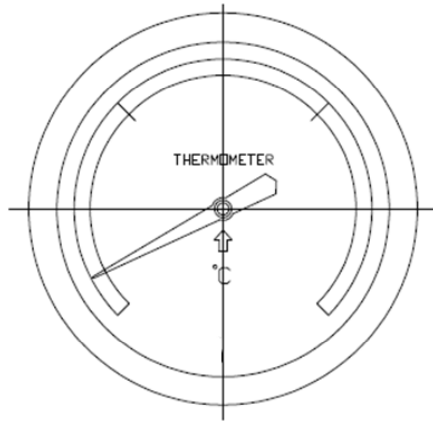
### Optional extras

- Liquid filling (upto 200 °C)
- Scale °F, K; dual scale °F/°C, °C/°F or other
- Radial connection other than bottom
- Plain stem or thread other than PT1/2
- Stem 8, 10 or 12 mm diameter
- Window of safety glass
- Thermowells per DIN / EN or to user specification
- Other scale ranges
- Accuracy ±1% F.S for 100mm, 150mm

- Case, Stem, connection: st. steel 316

## Dimensions

[Center back]



## Order Details

| Bimetal thermometers |   | TMB  |
|----------------------|---|------|
| Dial size            | 50mm  | 2    |
|                      | 60mm  | 3    |
|                      | 75mm  | 4    |
|                      | 100mm   | 5    |
|                      | 125mm   | 6    |
|                      | 150mm   | 7    |
| Type                 | Back  | D    |
|                      | Bottom  | A    |
|                      | Every angle   | E    |
| Process connection   | without screwing  | C0   |
|                      | shanks, fixed PT1/4"  | R4   |
|                      | shanks, fixed PT1/2"  | R2   |
|                      | shanks, fixed PT3/8"  | R38  |
|                      | shanks, fixed PF 1/4"   | G4   |
|                      | shanks, fixed PF 1/2"   | G2   |
|                      | shanks, fixed PF 3/8"   | G38  |
| Specific connection  | 00  |      |
| Stem diameter        | 6.4 mm  | D6.4 |
|                      | 8 mm  | D8   |
|                      | 10 mm   | D10  |
|                      | 12 mm   | D12  |
| Immersion length, l1 | standard immersion length to be specified, e.g. l1 80mm: order code 080 | 999  |
| Measuring ranges     | as per table  | ...  |

### Options / additional features

|                    |                           |    |
|--------------------|---------------------------|----|
| Liquid filling     |                           | LF |
| Dual scale         |                           | DS |
| Window             | Safety glass              | SG |
| Other scale ranges |                           | OS |
| Marking            | on scale (please specify) | GR |

\*\* Please give additional specification for models not listed.